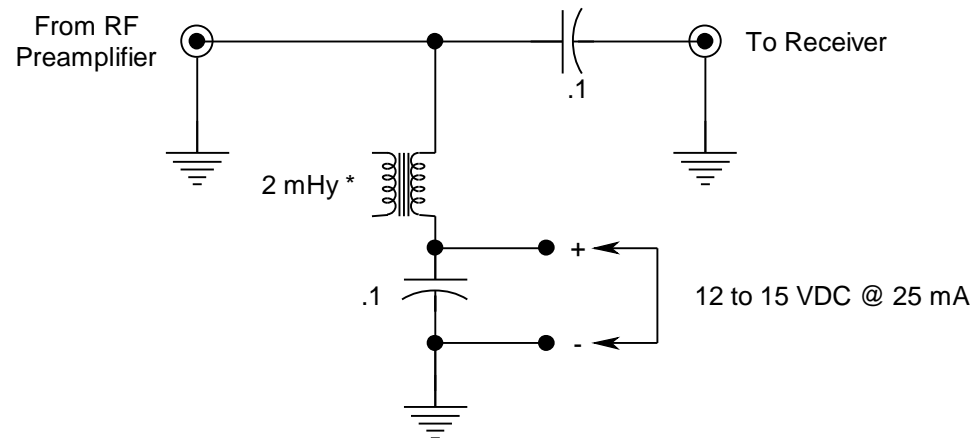


Power Injector for RF Preamp for "TreeTenna"
by W5JGV
14 Sept 2007



CIRCUIT NOTES:

- 1) *Common Mode RF Choke from small switching power supply. Only one winding is used, do NOT short the other winding.
- 2) Unit is built inside a steel electrical junction box.
- 3) Power supply should be hum-free and not exceed 15 volts.